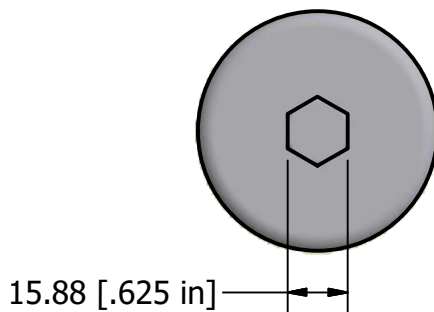


SCALE 1 / 2



**SPECIFICATIONS**

Battery Type	4x D (LR20) Cell Alkaline Batteries
Operating Temperature	-20° C to +50° C (-4 °F to 122 °F)
Maximum Operating pressure	2500 psi (172 bar)
O-Ring type and Size	2x 2-137/V90 (Viton O-ring)
Run time in Continuous Mode	250 + hours
Runtime in Pulse Mode	350 + hours
Open air signal strength	20 meters (65 feet)
In-Pipe signal strength	13 meters (40 feet)
Delrin Can part number	WT-D6-can or WT-D6-Can-MT

**Note:**

Open air test and in-pipe tests are carried out with a factory test receiver at full gain and external antenna connected. In-pipe test is performed by placing transmitter inside a 1/2" thick pipe.

**Duracell - Procell ALKALINE batteries are strongly recommended in order to get the most run time on our transmitters.**

Drawn by:	PM	
Revision Date:	2018-03-16	
THE INFORMATION CONTAINED IN THIS DRAWING IS THE SOLE PROPERTY OF WAVETRAK ELECTRONICS LTD., ANY PRODUCTION IN PART OR AS A WHOLE WITHOUT WRITTEN PERMISSION OF WAVETRAK ELECTRONICS IS PROHIBITED.		TITLE
		<b>WT-D6-Ex Spec Sheet</b>
UNITS	REV	SHEET
mm [inches]	4	1