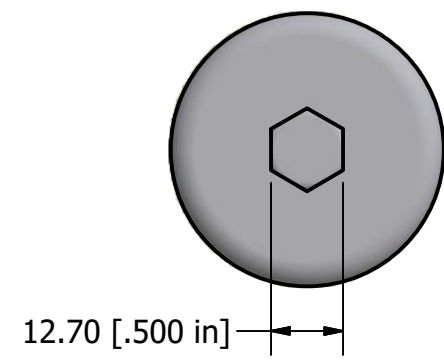


SCALE 3/4



Note:
 Open air test and in-pipe tests are carried out with a factory test receiver at full gain and external antenna connected. In-pipe test is performed by placing transmitter inside a 1/2" thick pipe.

Duracell - Procell ALKALINE batteries are strongly recommended in order to get the most run time on our transmitters.

SPECIFICATIONS	
Battery Type	2x C (LR14) Cell Alkaline Batteries
Operating Temperature	-20° C to +50° C (-4 °F to 122 °F)
Maximum Operating pressure	2500 psi (172 bar)
O-Ring type and Size	2x 2-128/V90 (Viton O-ring)
Run time in Continuous Mode	100 + hours
Runtime in Pulse Mode	150 + hours
Open air signal strength	9 meters (30 feet)
In-Pipe signal strength	5 meters (15 feet)
Delrin Can part number	WT-C3-can

Drawn by:	PM	
Revision Date:	2018-03-16	
THE INFORMATION CONTAINED IN THIS DRAWING IS THE SOLE PROPERTY OF WAVETRAK ELECTRONICS LTD., ANY PRODUCTION IN PART OR AS A WHOLE WITHOUT WRITTEN PERMISSION OF WAVETRAK ELECTRONICS IS PROHIBITED.		TITLE
		WT-C3-Ex Spec Sheet
UNITS	REV	SHEET
mm [inches]	4	1